



T&S BRASS AND BRONZE WORKS, INC.

2 Saddleback Cove / P.O. Box 1088
Travelers Rest, SC 29690

Model No.

B-0155-LN

Item No.

Travelers Rest, SC: 800-476-4103 • Simi Valley, CA: 800-423-0150 • Fax: 864-834-3518 • www.tsbrass.com



ADA Compliant



This Space for Architect/Engineer Approval

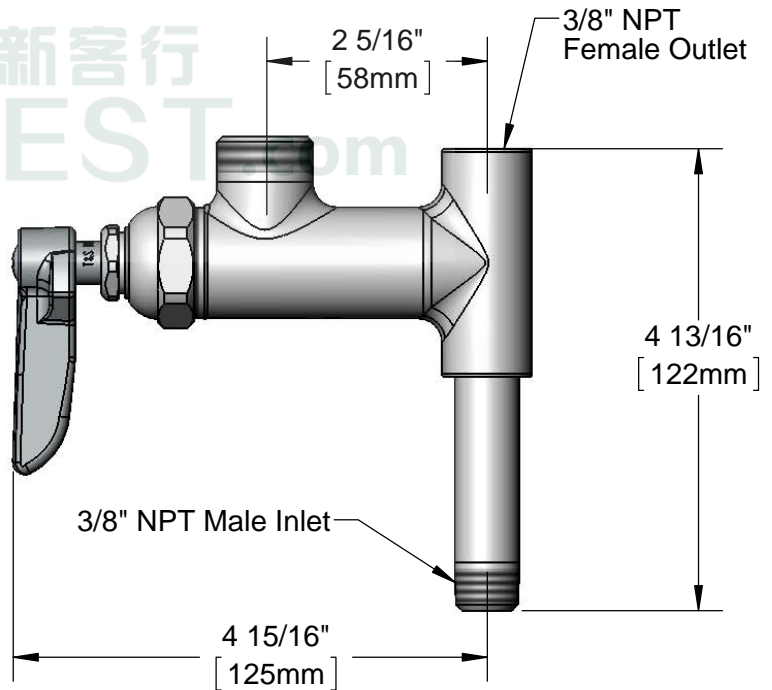
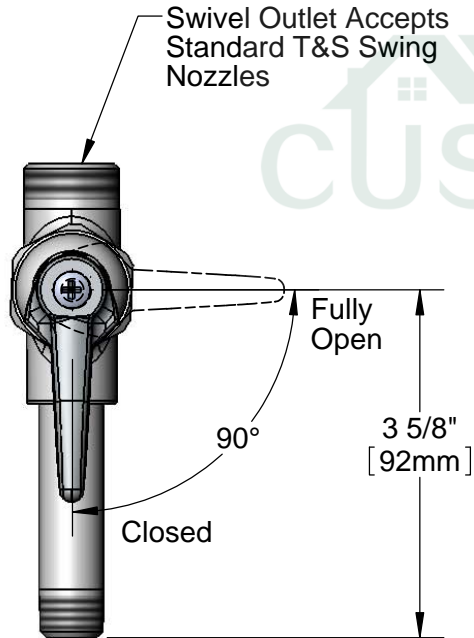
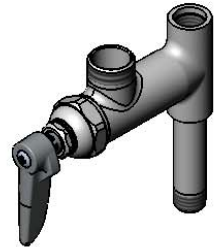
Job Name _____ Date _____

Model Specified _____ Quantity _____

Customer/Wholesaler _____

Contractor _____

Architect/Engineer _____



Notes:

1. Add-On Faucet is an Addition to Pre-Rinse Units and is Installed in Outlets of Base Mixing Faucets of Units Before Fitting Riser Pipes.
2. Lever Handle Controls Water On-Off Thru Nozzle Only. Pressure is Always "On" in Riser Pipe (Controlled by Base Mixing Faucet).

Product Specifications:

Add-On Faucet w/ 1/4 Turn Eterna Cartridge RTC & Lever Handle (Less Nozzle)

Drawn

KJG

Checked

JRM

Approved

JHB

Scale:

1:2

Date:

05/30/12



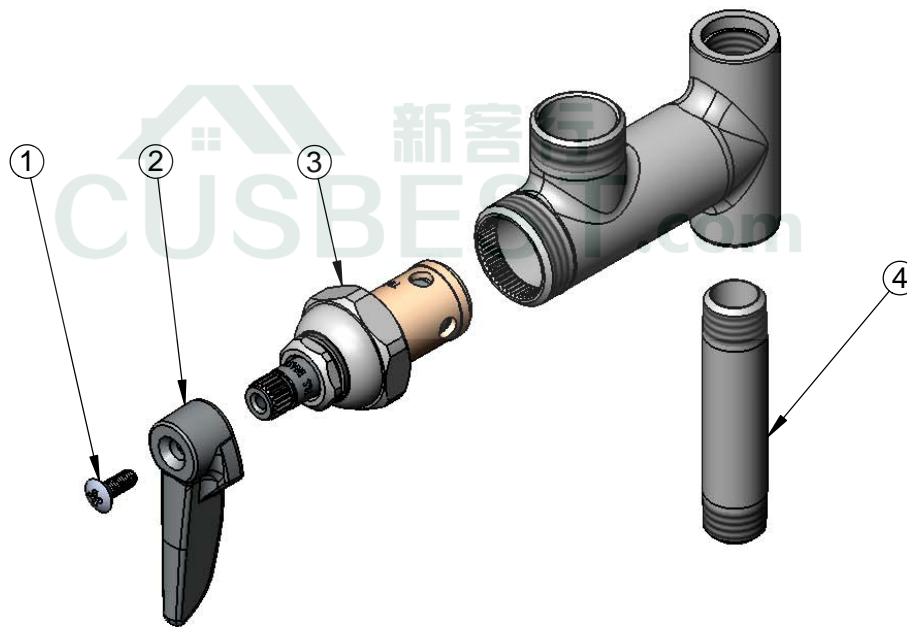
T&S BRASS AND BRONZE WORKS, INC.
 2 Saddleback Cove / P.O. Box 1088
 Travelers Rest, SC 29690

Model No.
B-0155-LN

Item No.

Travelers Rest, SC: 800-476-4103 • Simi Valley, CA: 800-423-0150 • Fax: 864-834-3518 • www.tsbrass.com

ITEM NO.	SALES NO.	DESCRIPTION
1	000922-45	Lever Handle Screw
2	001638-45	Lever Handle
3	007947-40	1/4 Turn Eterna Cartridge, RTC
4	000358-40	3/8" NPTx 3" Long Riser



Product Specifications:

Add-On Faucet w/ 1/4 Turn Eterna Cartridge RTC & Lever Handle
 (Less Nozzle)

Drawn KJG	Checked JRM	Approved JHB
Scale: NTS		Date: 05/30/12